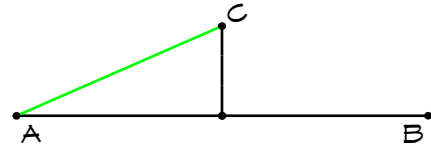
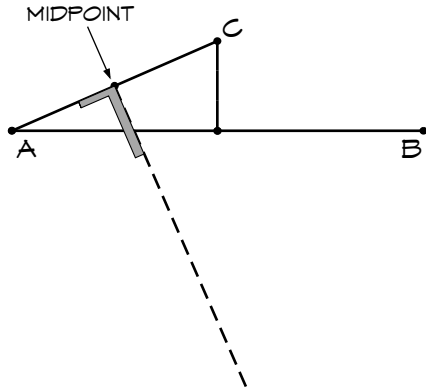


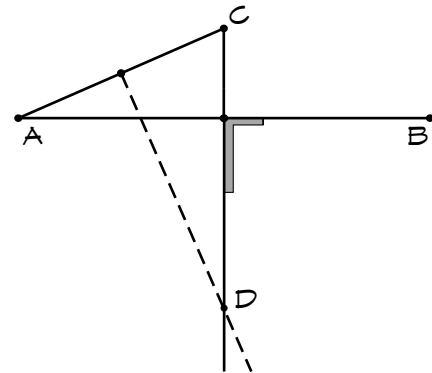
Step 1: Draw out the spring line and a perpendicular height line at the springline's midpoint.



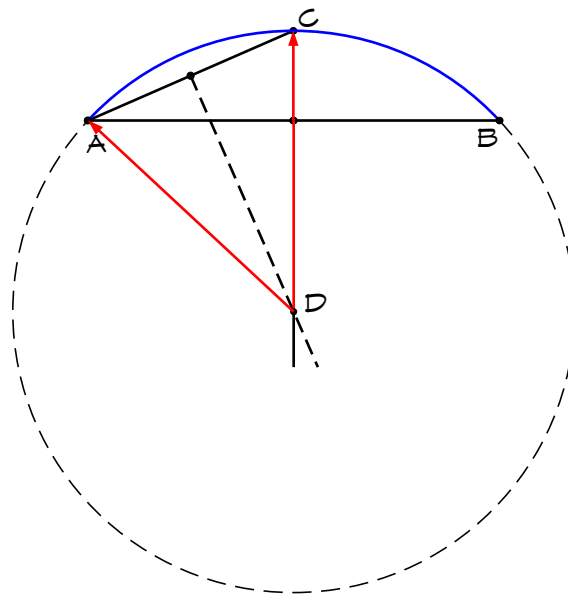
Step 2: Draw a chord from point A to point C.



Step 3: Draw a perpendicular line from the midpoint of line AC that extends below the center of the spring line.



Step 4: Find point D by extending the height line below the spring line.



Step 5: Using point D as a center, draw an arc with a radius of AD/CD to close off the top of the arch.